

7. MAINTENANCE

Performing proper and periodic maintenance extends product life. Efficient soldering depends upon the temperature, quality and quantity of the solder and flux.

Apply the following service procedure as dictated by the conditions of usage.

⚠ WARNING

Since the soldering iron can reach a very high temperature, please work carefully. Except the case especially indicated, always turn the power switch OFF and disconnect the power plug before performing any maintenance procedure.

● Tip Maintenance

1. When the temperature stabilizes, clean the tip with the cleaning sponge and check the condition of the tip.
2. If the solder plated part of the tip is covered with black oxide, apply fresh solder containing flux, and clean the tip again. Repeat until all the oxide is removed, then coat the tip with fresh solder.
3. If the tip is deformed or heavily eroded, replace it with a new one.

⚠ CAUTION
Do not file the tip in an attempt to remove the black oxide.

■ Cleaning the tip using the iron holder

1. Using the cleaning sponge
2. Using the cleaning wire

Use the cleaning sponge that comes with the product to clean the tip. It offers wide-ranging uses, from simple removal of excess solder to complete elimination of material occurring as a result of oxidation.

Material that is not removed easily with the cleaning sponge can likely be removed using the cleaning wire.

■ Replacing the fuse

1. Unplug the power cord from the power receptacle.
2. Remove the fuse holder.
3. Replace the fuse.
4. Put the fuse holder back in place.

8. TROUBLE SHOOTING GUIDE

⚠ WARNING

Before checking the inside of the HAKKO FX-100 or replacing parts, be sure to disconnect the power plug. Failure to do so may result in electric shock.

- The solder iron does not operate even when the power switch is turned ON.

CHECK : Is the power supply cable or connection plug disconnected?
ACTION : Connect it tightly.

CHECK : Is the fuse blown?

ACTION : Replace the fuse. If the fuse blows again, please send the entire product back to us for repair.

- Grip Error is displayed.

ACTION : Check that the soldering iron or the iron tip is connected. If the error is displayed again even when it is connected, the soldering iron or the iron tip may be damaged.

- Solder does not become wet at the iron tip.

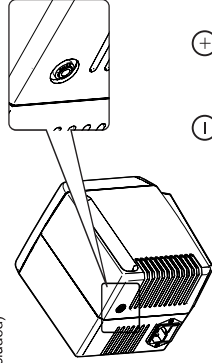
CHECK : Is the tip oxidized?
ACTION : Clean the tip to remove oxidation.

- The tip temperature is too Low.

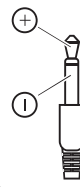
CHECK : Is the tip oxidized?
ACTION : Clean the tip to remove oxidation.

9. OPTION

The port on the back of the station is used to display heater output on the external device. (not included)

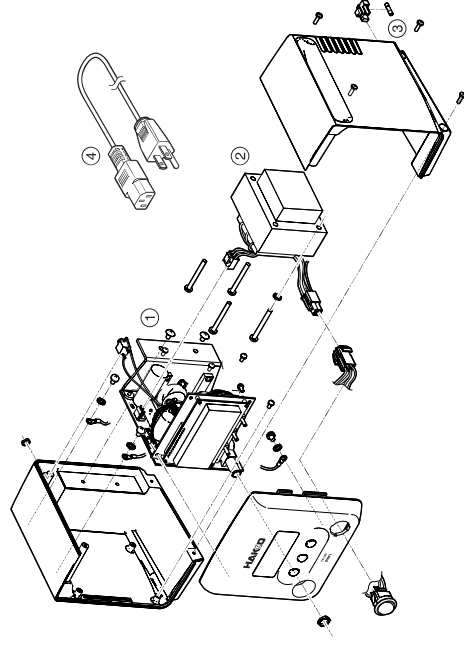


The output displayed on the monitor can be displayed on an external device by connecting the machine to equipment such as an oscilloscope.



Please purchase in the way of your connection plug (φ3.5 mono plug).

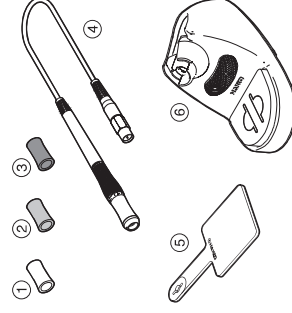
10. PARTS LIST



● HAKKO FX-100 Station

Item No.	Part No.	Part Name	Specifications
①	B5302	P.W.B	100 - 110V
②	B5003	Transformer	120V
③	B5005	Transformer	220 - 240V
④	B2403	Fuser250V2A	100 - 110V
⑤	B5301	Fuser250V2A	120V
⑥	B5387	Fuser250V1A	220 - 240V

Item No.	Part No.	Part Name	Specifications
⑦	B2419	Power cord, 3 wire cord & American plug	120V USA
⑧	B2421	Power cord, 3 wire cord & UK plug	India
⑨	B2422	Power cord, 3 wire cord & BS plug	220V KTL 230V CE
⑩	B2424	Power cord, 3 wire cord & BS plug	230V CE
⑪	B2425	Power cord, 3 wire cord & Australian plug	China
⑫	B2426	Power cord, 3 wire cord & Chinese plug	
⑬	B3508	Power cord, 3 wire cord & American plug	
⑭	B3550	Power cord, 3 wire cord & American plug	



● HAKKO FX-1001

Item No.	Part No.	Part Name	Specifications
①	B5006	Sleeve / Yellow	
②	B5007	Sleeve / Green	
③	B5008	Sleeve / Gray	
④	FY10181	HAKKO FX-1001	
⑤	B2300	Heat resistant pad	
⑥	FH80318Y	HAKKO FH-800	

● Iron Holder Parts

Item No.	Part No.	Part Name	Specifications
①	A11559	Cleaning sponge	
②	B5009	Iron holder base (Blue-yellow)	with rubber foot
③	B3751	Bottom plate	with Phenolic Sheet (under foot)
④	A11561	Cleaning wire	

● Optional Parts

Part No.	Part Name	Specifications
B3474	Rubber cleaner	