

Lead forming tool

HAKO 155
LEAD CUTTER

Lead forming tool



- Lead cutter for radial components
- Lead cutting operation for taped components can be continuously performed using the same size settings once they are made
- Possible to use together with 152B (motor drive)

Specifications

Model No.	155-1	155-2
Max.diameter of lead wire	Φ0.8mm (MAX.)	
Lead wire	For annealed copper lead wire only	
Max. processing part size	Φ12.5×25mm (MAX.)	
Feed hole pitch	12.7mm	15mm
Lead pitch	5.0mm,2.5mm	5.0mm
Min. processing size	1.5mm from taping end, 2.0mm from part end	
Dimensions	110(W)×140(H)×125(D)mm	
Weight	1.7kg	

* When shipped, the unit is set for components with a lead pitch of 0.5mm.

* Square lead wire is not adapted.

* Weight (w/ handle, clamp)

Features

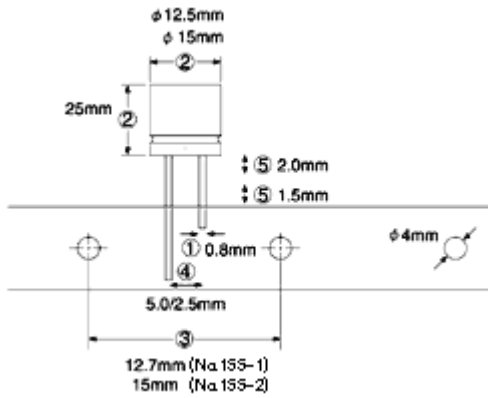
Cutting for tape-type radial components and annealed copper lead wire

- Easy to use - simply set the taped components in place and turn the handle. The super-sharp, high quality cutting blade allows you to cut all varieties of tape-type radial parts, including resistors, capacitors, transistors, etc. cleanly and smoothly. Continuous operation ensures faster, more efficient processing.
- Sealed bearings make it long-lasting, durable and efficient.

✚ The compact design allows you to place it virtually anywhere.

! Square lead wire is not adapted.

Cutting only



Replacement Parts

Part No.	Name	Specifications
----------	------	----------------



A1107	Cutting blade	for 155-1/155-2
-------	---------------	-----------------



B1405	Cutting wheel	for 155-1, 12.7mm pitch, w/ screw
-------	---------------	-----------------------------------



B1406	Transport	for 155-1, 12.7mm pitch, w/ screw
-------	-----------	-----------------------------------



B1581	Cutting wheel	for 155-2, 15mm pitch, w/ screw
-------	---------------	---------------------------------



B1582	Transport	for 155-2, 15mm pitch, w/ screw
-------	-----------	---------------------------------



B1387	Main shaft	for 153/154/153
-------	------------	-----------------